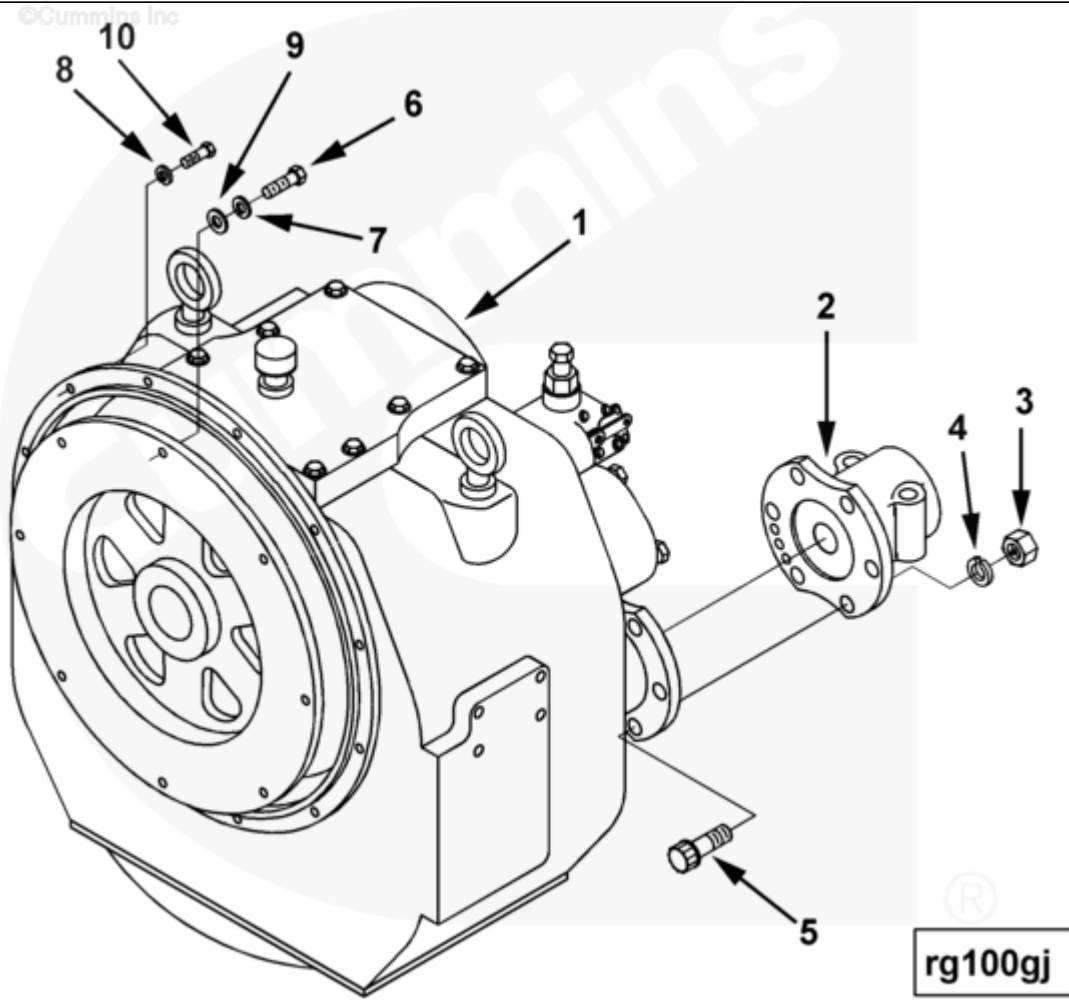




Parts Catalog - Option Detail

Electronic Parts Catalog - Option Detail				
Option	Group	Graphic	Film Card	Date
RG8014	16.05	rg100gj	F	05-SEP-78
Engines	NH/NT 855, NT495, NT743, NTA855 N106			



SMALL | MEDIUM | LARGE

Cart	Ref No	Part Number	Part Description	Required	Remarks
View My Cart					
		RG8014	Marine Gear		Twin-Disc model MG509 with...(More)
					2.95:1 ratio for LH or RH
					propeller rotation. Includes
					propeller flange. Shallow

					Case.
<input type="checkbox"/>	1	186308	Marine Gear	1	
<input type="checkbox"/>	2	199687	Propeller Shaft Flange	1	
<input type="checkbox"/>	3	S 204	Heavy Hexagon Nut	6	3/4 - 10 UNC
<input type="checkbox"/>	4	S 611	Lock Washer	6	3/4 in.
<input type="checkbox"/>	5	205584	Twelve Point Cap Screw	6	3/4 - 10 X 2 1/4 in.
<input type="checkbox"/>	6	S 113	Hexagon Head Cap Screw	8	1/2 - 13 x 1 1/2 in.
<input type="checkbox"/>	7	S 608	Lock Washer	8	1/2 in.
<input type="checkbox"/>	8	S 610	Lock Washer	12	7/16 in.
<input type="checkbox"/>	9	S 670	Plain Washer	8	1/2 in.
<input type="checkbox"/>	10	103009	Hexagon Head Cap Screw	8	7/16 - 14 X 1 1/4 in.

© 2019 Cummins Inc., Box 3005, Columbus, IN 47202-3005 U.S.A.
Terms of Use and Disclaimers | Recommended System Requirements
Need Assistance? Please click on the Contact Us button in the top right corner of any page.